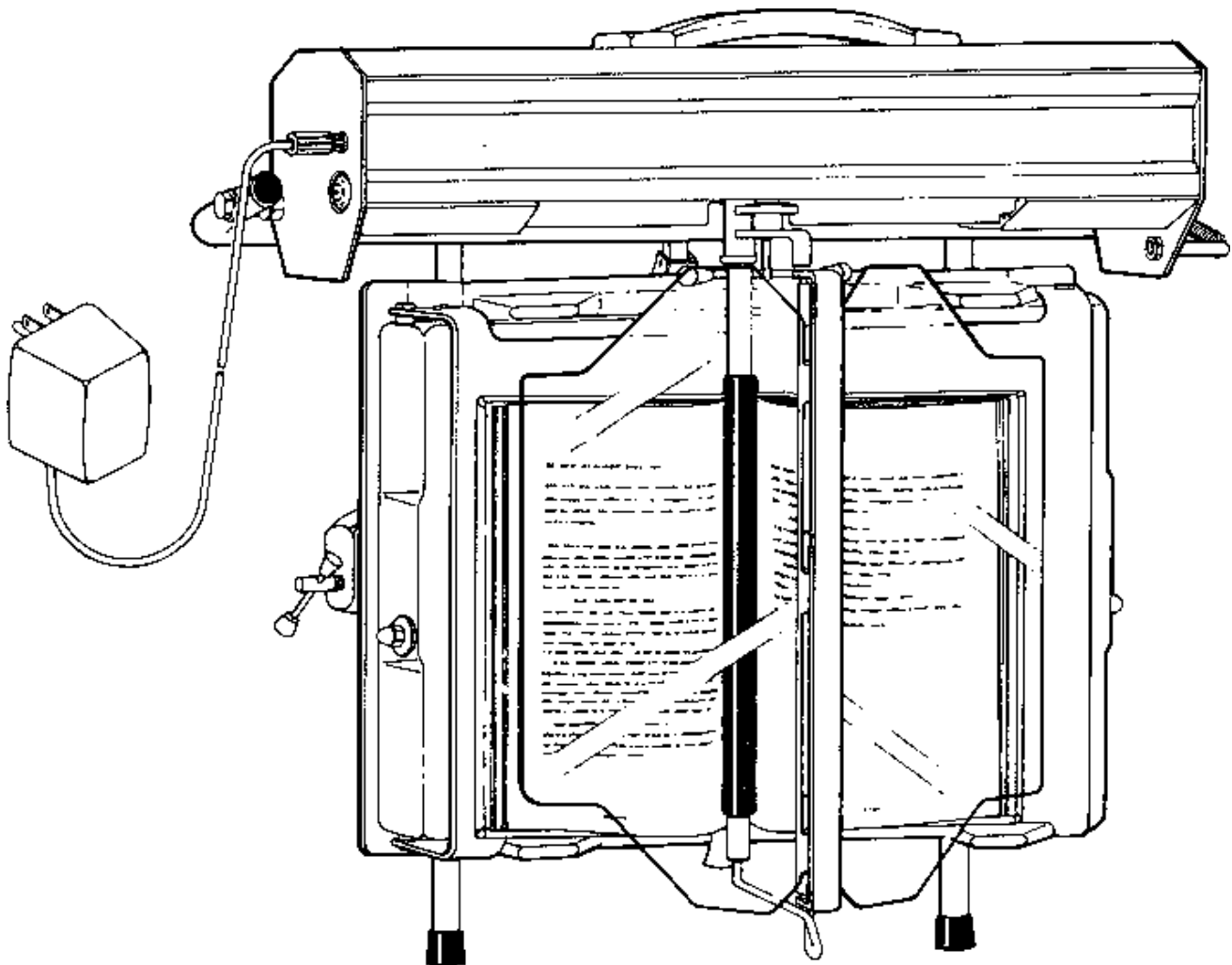


Gewa Page Turner



Bruksanvisning

Gebrauchsanweisung

Manual

Gebruiksaanwijzing

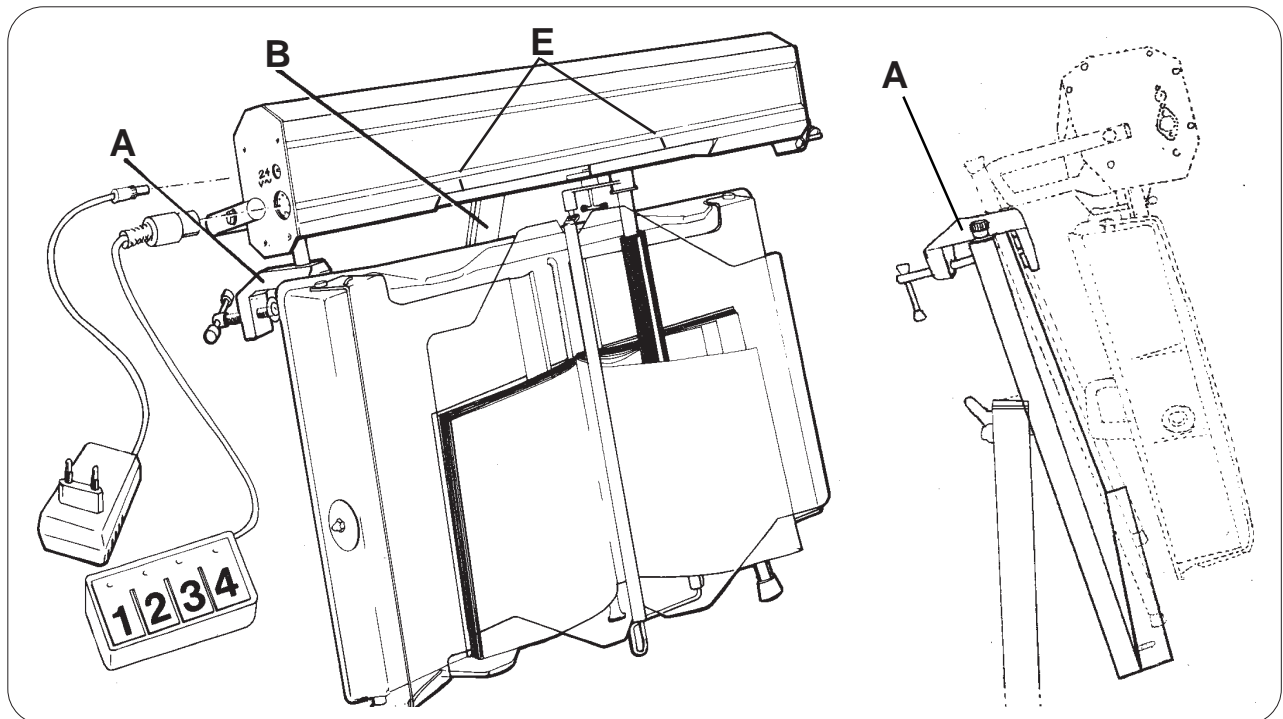
Gewa AB

BOX 92, SE-191 22 SOLLENTUNA, SWEDEN
TELEPH. +46 8-594 694 00 • TELEFAX +46 8-594 694 19
E-MAIL: info@gewa.se • WEB: www.gewa.se

Dok: BLV542F. Ver: F Dat: 2002-10-28.

Bruksanvisning	3
Instructions	6
Gebrauchsanweisung	9
Assemblage instructie	12

Instructions for assembling and using the GEWA Page Turner, type BLV/6D



Intended use

The page turner BLV/6D is an aid that makes it possible for people with physical disabilities to read a book or a magazine. It can be operated by a variety of control switches, finger switches, chin switches and sip and puff switches.

Assembly

1. Unpack the page turner carefully.
2. The page turner can be fastened to either a GEWA bed table or an ordinary table. When fastening it to a reading table, the two clamps (A) are used to secure it. When fastening the page turner to an ordinary table, the support-leg (B) on the back side of the apparatus is used. Fold out the support-leg and make sure the catch snaps in place when the support-leg is extended.
3. Loosen the rubber strips which hold the outer plexiglass-sheets and take away the protective film which protects the plexiglass-sheets.
4. After taking away the protective film from the plexiglass-sheets, it may be necessary to clean the sheets with an antistatic spray or towel.
5. Connect the manoeuvring control (sip and puff, chin-, foot-, finger- or autoscan control) to the outlet on the page turner.
6. Connect the transformer (24 volt) to a 110 or 230 volt wall outlet and connect the low current contact to the outlet on the page turner.
7. Attach the label with the desired language over the English label (E) that is premounted on the Page Turner.

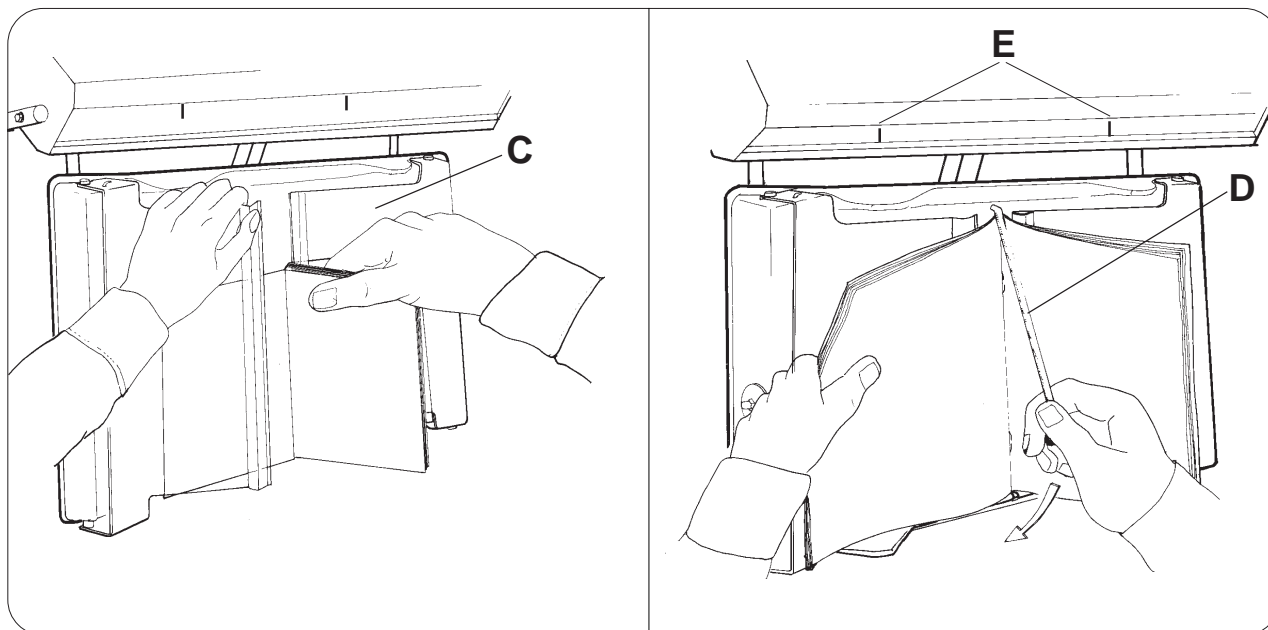
Principles of operation

In order to use the page turner properly, it is necessary to know how it functions.

The function of the page turner is built around the relationship between a rubber roller at a right angle to the horizontal plane. This rubber roller can move to the right or left as well as rotate backwards or forwards on its own axis. A special mechanism effects two swingable plexiglass-sheets when the roller moves to the right or left. These plexiglass-sheets are designed to hold the book's (magazine's) pages flat. The page turner is not equipped to turn pages automatically - the user himself determines with his manoeuvring arrangement how the apparatus will operate.

The rubber roller moves to the right or left to place itself in the most favorable position to turn pages. (This is approximately the position indicated by a pair of arrows on the page turner (E). When the page-turning position is reached, the rubber roller rotates, which cause one or several pages (depending on whether the function is maintained) to "curl up" or "flatten out". When the page has "flipped forward" above the rubber roller, the roller is moved to the left or right to complete the turning process.

Summing up: The rubber roller rotates to "turn up" or "flatten out" the pages. The rubber roller moves to the left or right to turn the page. Pages can therefore be turned both backwards and forwards.



Positioning a book

1. Raise the outer plexiglass-sheets and upper parts. Note! Open up these parts only when the roller is in the middle of the page turner.
2. Fasten the book's covers behind the inner plexiglass-sheets (C).
3. Lower the inner plexiglass-sheets and upper parts.
4. Ready to turn pages.

Note! Make sure that the light source is not at an unfavourable angle so that annoying reflexions are caused in the plexiglass-sheets.

Positioning a magazine

1. Raise the outer plexiglass-sheets and upper parts. Note! Open up these parts only when the roller is in the middle of the page turner.
2. Unhook the special elastic cord (D) and place the magazine's covers (maximum size 12" x 8" or 30 cm x 21 cm) behind the inner plexiglass-sheets.
3. Open the magazine to its midpoint and use the elastic cord (D) to hold it in place.
4. Close the magazine so the page-turning begins from the magazine's beginning.
5. Lower the outer plexiglass-sheets and upper parts.
6. Ready to turn pages.

Note! Make sure that the light source is not at an unfavourable angle so that annoying reflexions are caused in the plexiglass-sheets.

Manoeuvring

A control arrangement with four functions (e.g. the hand/chin control HK/4, the finger control FK/4 or the sip and puff control SB/4) is required to manoeuvre the page turner. When using sip and puff control SB-4, two levels of sip and puff must be obtained to create the four manoeuvring functions of the page-turner. By using scanning control ASC-1, only one single switch is necessary e.g. sip and puff, hand, foot etc.

Begin with the roller in the middle position. Perform the different phases in numerical order. **To turn pages forward:**

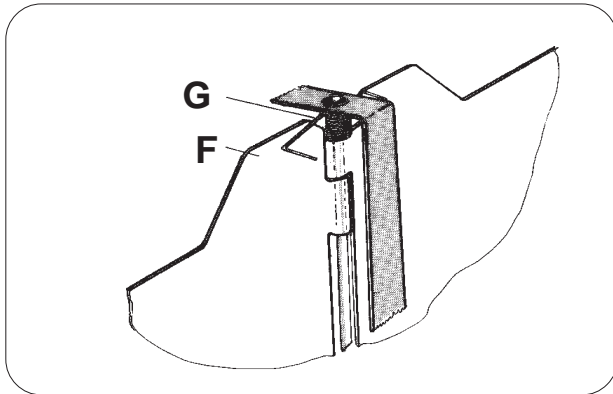
1. Move the roller to the right and stop at the right side page-turning position (E). This position is approximate and with certain "difficult" books or magazines you can test to find in which position the roller best produces friction against the paper.
2. Rotate the roller so that one (or the desired number) of pages "flips over" above the roller.
3. Rotate the roller in the opposite direction to flatten and smooth out the underlying pages. If this is not done, ugly creases occur on the pages.
4. Move the roller to the left to turn the page(s). The page-turning process has now been completed and the roller can be returned to its starting (middle) position. If the book has small margins, it may be necessary to move the roller to one side (either right or left) so that the text is not covered.

When **turning back pages**, the roller is moved from the middle (starting) position towards the left and stops at the left side turning position (E), after which the roller is rotated in the same manner as started above, except in reversed numerical order, i.e. 4, 3, 2, 1.

Adjustments of plexiglass-sheets

Page turner BLV/6D is equipped with extra strong springs to hold the outer plexiglass-sheets (F) in correct position even when the page turner is tilted over a patient in supine position.

When the page turner is used in the normal reading position, the outer plexiglass-sheets tend to pull the page turner of the book or magazine when the turning mechanism is moved sideways. To avoid this, the upper spring (G) can be unhooked according to the figure. If this does not help, the lower spring can also be unhooked in the same manner.



Cleaning and service

The page turner normally needs no special service. In certain cases it may be necessary to clean the rubber roller from printing ink which, after 1000 or so pages, can cause a loss of friction and the roller to slide on the pages. Gasoline or turpentine are suitable cleaning agents.

Other parts of the page turner are cleaned by a cloth dipped into water with some detergent in it and carefully wringed. Wipe off with a dry cloth afterwards.

Using environment

The page turner shall be used indoors in dry areas and in a home environment (not in a kitchen).

Conformity with the Medical Devices Directive

The page turner BLV/6D is marketed as a technical aid for people with physical disabilities and meets the requirements in Medical Directive 93/42/EEC including relevant EMC and electrical safety according to standard EN 12182.

ACCESORIES FOR BLV/6D

5410 FK-4F BLV HAND/FINGER SWITCH

4-function NO contacts
Box-top sensitive pushing areas
Cord with 5-pole DIN contact
Fits the PAGE TURNER



5300 HK-4 HAND/CHIN SWITCH

4-function NO contacts
Joy-stick 4-directions
Cord with 5-pole DIN contact
Fits the PAGE TURNER. With 50 cm holder and table end clamp



5500 SB-4H SIP AND PUFF

4-function NO contacts
Low and very low sip and puff. Cord with 5-pole DIN contact
Hose with mouthpiece and 50 cm holder with table end clamp included



5510 SB-4 SIP AND PUFF

Sip and puff switch
4 function N.O. contacts
Without holder



5420 FK-4H BLV HAND/FINGER SWITCH

4-function NO contacts
Recessed sensitive pushing areas
Cord with 5-pole DIN contact
Fits the PAGE TURNER



829203 TRANSFORMER MASCOT 8710

Insulated transformer 500mA 24 V AC
Plugs straight into the socket
For GEWA page turner



4680 CM-50-5 HAND SLOT CONTROL

5-function NO contacts
Large rugged push areas
Cord with 5-pole DIN contact
Fits PAGE TURNER



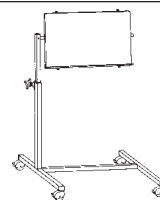
5600 ASC-1 AUTOSCAN

4-function NO contacts 1-function contact input. Automatic scanning. Adjustable speed
Power supplied from PAGE TURNER. Cord with 5-pole DIN contact. Fits the PAGE TURNER
No control switch included



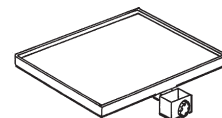
5200 LB-2

For small typewriters and PAGE TURNER. Table can be rotated 360 deg for overbed reading
Height-adjustable. 4 roller wheels, locking on 2



5210 SIDE SHELF FOR THE LB-2

To be placed on vertical stand of LB-2
Gives room for books, pencils etc.



4208 IR-4M BLVP

Programmable IR receiver with 4 relay outputs for GEWA PAGE TURNER. Programmable with GewaLink channels and coded channels (4096 code). 1 built-in detector. Cord with 5-pole DIN contact. Fits the PAGE TURNER
Supply voltage 24V AC, 50-60 Hz
Polar white plastic cover

